

GoldStar®
3DO™
INTERACTIVE
MULTIPLAYER
SYSTEM



The Finest in CD Entertainment
Owner's Manual Model #GD0101M



Please read these instructions completely before operating this system.

Cautionary Notes

Welcome to Goldstar. To enjoy fully all features and functions of this new unit, we recommend that you read this instruction booklet carefully and completely.

WARNING: TO PREVENT FIRE OR SHOCK HAZARD, DO NOT EXPOSE THIS APPLIANCE TO MOISTURE OF ANY KIND.

CAUTION: TO PREVENT ELECTRIC SHOCK DO NOT USE THIS (POLARIZED) PLUG WITH AN EXTENSION CORD, RECEPTACLE OR OTHER OUTLET UNLESS THE PLUG CAN BE FULLY INSERTED WITHOUT EXPOSING ANY PARTS OF THE BLADES.

ATTENTION : POUR EVITER LES CHOCS ELECTRIQUES, INTRODUIRE LA LAME LA PLUS LARGE DE LA FICHE DANS LA BORNE CORRESPONDANTE DE LA PRISE ET POUSSER JUSQU'AU FOND.



The lightning flash with arrowhead symbol, within an equilateral triangle indicates uninsulated "dangerous voltage" within the product's enclosure that may be of sufficient magnitude to constitute a risk of electric shock to persons.

The exclamation point within an equilateral triangle alerts the user to the presence of important operating and maintenance (servicing) instructions in the literature accompanying the product.

"Note to CATV system installer" : This reminder is provided to call the CATV system installer's attention to Section 820-40 of the NEC which provides guidelines for proper grounding and, in particular, specifies that the cable ground shall be connected to the grounding system of the building, as close to the point of cable entry as practical.

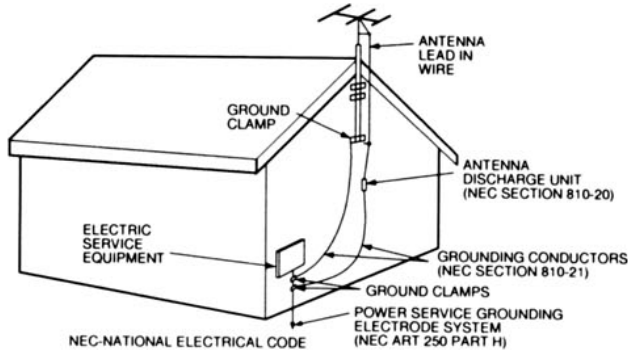
Important Safeguards

1. **Read Instructions**-Read all safety and operating instructions before the product is operated.
2. **Save Instructions**-Save the safety and operating instructions for future reference.
3. **Heed Warnings**-Heed all warnings on the product and in the operating instructions.
4. **Follow Instructions**-Follow all operating instructions
5. **Cleaning**-Unplug this product from the wall outlet before cleaning. Wipe with a damp cloth .
6. **Attachments**-Do not use attachments not recommended by the product manufacturer as they may cause hazards.
7. **Water and Moisture**-Do not use this product near a wet area such as the bathtub or sink.
8. **Accessories**-Do not place this product on an unstable cart, stand, tripod, bracket, or table. The product may fall, causing serious injury to a child or adult, and serious damage to the product. Use only with a cart, stand, tripod, bracket, or table recommended by the manufacturer, or sold with the product. Any mounting of the product should follow the manufacturer's instructions, and should use a mounting accessory recommended by the manufacturer.
9. A product and cart combination should be moved with care. Quick stops, excessive force, and uneven surfaces may cause the product and cart combination to overturn.



- Stacking**-Do not place heavy objects (TV, etc.) on top of the unit. Never allow anyone to stand or sit on this unit.
10. **Ventilation**-Slots and openings in the cabinet are provided for ventilation and to ensure reliable operation of the product and to protect it from overheating, and these openings must not be blocked or covered. The openings should never be blocked by placing the product on a bed, sofa, rug, or other similar surface. This product should not be placed in a built-in installation such as a bookcase or rack unless proper ventilation is provided or the manufacturer's instructions have been adhered to.
 11. **Power Sources**-This product should be operated only from the type of power source indicated on the marking label. If you are not sure of the type of power supply to your home, consult our product dealer or local power company. For products intended to operate from battery power, or other sources, refer to the operating instructions.

FIGURE 131.1
EXAMPLE OF ANTENNA GROUNDING AS PER
NATIONAL ELECTRICAL CODE



S2898A

12. **Grounding or Polarization-**This product may be equipped with a polarized alternating-current line plug (a plug having one blade wider than the other). This plug will fit into the power outlet only one way. This is a safety feature. If you are unable to insert the plug fully into the outlet, try reversing the plug. If the plug should still fail to fit, contact your electrician to replace your obsolete outlet. Do not defeat the safety purpose of the polarized plug.
13. **Power-Cord Protection-**Power-supply cords should be routed so that they are not likely to be walked on or pinched by items placed on top of or against them, particular attention to cords at plugs, paying convenience receptacles, and the point where they exit from the product.
14. **Protective Attachment Plug-**The product is equipped with an attachment plug having overload protection. This is a safety feature. See Instruction Manual for replacement or resetting of protective device. If replacement of the plug is required, be sure the service technician has used a replacement plug specified by the manufacturer that has the same overload protection as the original plug.
15. **Outdoor Antenna Grounding-**If an outside antenna or cable system is connected to the product, be sure the antenna or cable system is grounded so as to provide some protection against voltage surges and built-up static charges. Article 810 of the National Electrical Code ANSI/NFPA 70, provides information with regard to proper grounding of the mast and supporting structure, grounding of the lead-in wire to an antenna discharge unit, size of grounding conductors, location of the antenna-discharge unit, connection to grounding electrodes, and requirements for the grounding electrode. See Figure 131.1.
16. **Lightning-**For added protection for this product during a lightning storm, or when it is left unattended and unused for long periods of time, unplug it from the wall outlet and disconnect the antenna or cable system. This will prevent damage to the product due to lightning and power-line surges.

17. **Power Lines**-An outside antenna system should not be located in the vicinity of overhead power lines or other electric light or power circuits, or where it can fall into such power lines or circuits. When installing an outside antenna system, extreme care should be taken to keep from touching such power lines or circuits as contact with them might be fatal.
18. **Overloading**-Do not overload wall outlets and extension cords as this can result in a risk of fire or electric shock.
19. **Object and Liquid Entry**-Never push objects of any kind into this product through openings as they may touch dangerous voltage points or short-out parts that could result in a fire or electric shock. Never spill liquid of any kind on the product.
20. **Servicing**-Do not attempt to service this product yourself as opening or removing covers may expose you to dangerous voltage or other hazards. Refer all servicing to qualified service personnel.
21. **Damage Requiring Service**-Unplug this product from the wall outlet and refer servicing to qualified service personnel under the following conditions:
 - a. When the power-supply cord or plug is damaged.
 - b. If liquid has been spilled, or objects have fallen into the product.
 - c. If the product has been exposed to rain or water.
 - d. If the product does not operate normally by following the operation instructions. Adjust only those controls that are covered by the operating instructions as an improper adjustment of other controls may result in damage and will often require extensive work by a qualified technician to restore the product to its normal operation.
- e. If the product has been dropped or the cabinet has been damaged.
- f. When the product exhibits a distinct change in performance-this indicates a need for service.
22. **Replacement Parts**-When replacement parts are required, be sure the service technician has used replacement parts specified by the manufacturer or have the same characteristics as the original part. Unauthorized substitutions may result in fire, electric shock, or other hazards.
23. **Safety Check**-Upon completion of any service or repairs to this product, ask the service technician to perform safety checks to determine that the product is in proper operating condition.
24. **Wall or Ceiling Mounting**-The product should not be mounted to a wall or ceiling.
25. **Heat**-The product should be situated away from heat sources such as radiators, heat registers, stoves, or other products (including amplifiers) that produce heat.

Welcome to the finest in interactive home entertainment.

We are proud of the Goldstar 3DO Interactive Multiplayer system and we are pleased you have selected this product for your home. We hope you will enjoy this system for a long time.

What is a Goldstar 3DO Interactive Multiplayer system?

An Audio CD player

It will play digital audio CDs like a high-fidelity audio component.

A Photo CD player

You can use this system to play photo CDs. Enjoy your family photographs on a television screen.

A Video CD player

You can play movies, cartoons, and other linear-play titles on your 3DO system. Note: some Video CDs require the Goldstar 3DO Digital Video Module.

A 3DO Interactive CD player

With this player you can run the best home gaming software in the universe. You can also use edutainment software, informational reference titles, and many other interactive software titles.

Before using this product, please read this owners manual, paying careful attention to any warnings or important notes inside. Please keep this manual in a safe and handy location.

WARNING

To avoid fire or electric shock, do not expose this unit to rain or moisture.

WARNING

Do not touch the lens element in the sliding CD tray.

WARNING

This product contains a laser. Any owner adjustments, customizations, or modifications to this product may result in hazardous radiation exposure. Do not open covers nor attempt to repair anything yourself. Refer this unit to a qualified service technician for all repairs. Class 1 Laser Product: this product contains a class 1 laser in the CD-ROM unit.

WARNING

This product contains uninsulated electrical elements inside. This unit is not intended to be opened except by a qualified service technician. Avoid dangerous voltage inside. To reduce the risk of electric shock, do not remove the cover or open this unit. No user-serviceable parts inside.

Precaution

- Please carry unit in upright position at all times.



The model number and serial number of this unit can be found on the back panel of the system. Please write them in the spaces below to keep them handy for future reference.

Model Number: GDO101M

Serial Number: _____

Table of Contents

Safety Instructions	4
Setting up your Goldstar 3DO system	5
A Diagram of your Goldstar 3DO system	6
Connecting your Goldstar 3DO system	8
Operating your Goldstar 3DO system	10
Using Audio CDs	12
Using Photo CDs	14
Using Video CDs	16
Using 3DO Interactive CDs	18
Advanced Tips for your Goldstar 3DO system	19
For More Information	20
Online Info	21
In Case of Technical Difficulties	22
Technical Specifications	24

Safety Instructions

Water & Moisture

To avoid fire or electric shock, do not expose this unit to rain or moisture.

Laser Product

This product contains a class 1 laser in the CD-ROM unit.

This product contains a laser. Any owner adjustments, customizations, or modifications to this product may result in hazardous radiation exposure. Do not open covers nor attempt to repair anything yourself. Refer this unit to a qualified service technician for all repairs.

Dangerous Voltage

This product contains uninsulated electrical elements inside. This unit is not intended to be opened except by a qualified service technician. Avoid dangerous voltage inside. To reduce the risk of electric shock, do not remove the cover or open this unit. No user-serviceable parts inside.

Federal Communications Commission Radio Frequency Interference Statement

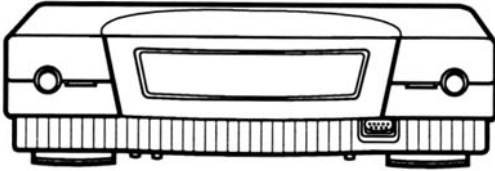
Note: This equipment has been tested and found to comply with the limits for a Class B digital device, pursuant to Part 15 of the FCC Rules. These limits are designed to provide reasonable protection against harmful interference in a residential installation. This equipment generates, uses and can radiate radio frequency energy and, if not installed and used in accordance with the instructions, may cause harmful interference to radio communications. However, there is no guarantee that interference will not occur in a particular installation. If this equipment does cause harmful interference to radio or television reception, which can be determined by turning the equipment off and on, the user is encouraged to try to correct the interference by one or more of the following measures:

- * Reorient or relocate the receiving antenna.
- * Increase the separation between the equipment and receiver.
- * Connect the equipment into an outlet on a circuit different from that to which the receiver is connected.
- * Consult the dealer or an experienced radio/TV technician for help.

FCC WARNING: This equipment may generate or use radio frequency energy. Changes or modifications to this equipment may cause harmful interference unless the modifications are expressly approved in the instruction manual. The user could lose the authority to operate this equipment if an unauthorized change or modifications is made.

Setting up your Goldstar 3DO system

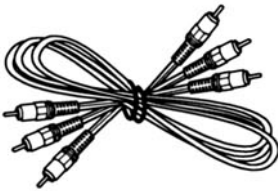
Here's what you should find in the box.



**Goldstar 3DO Interactive
Multiplayer system**



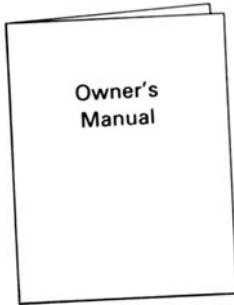
3DO Control Pad (1)
*(Additional control pads
also available separately)*



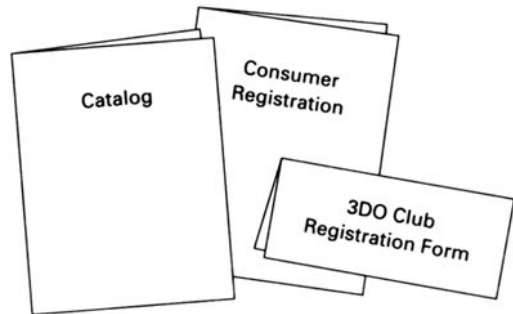
AV Cable (with RCA jacks)



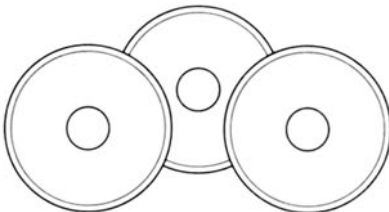
RF Cable (with RF connector)



Owner's Manual



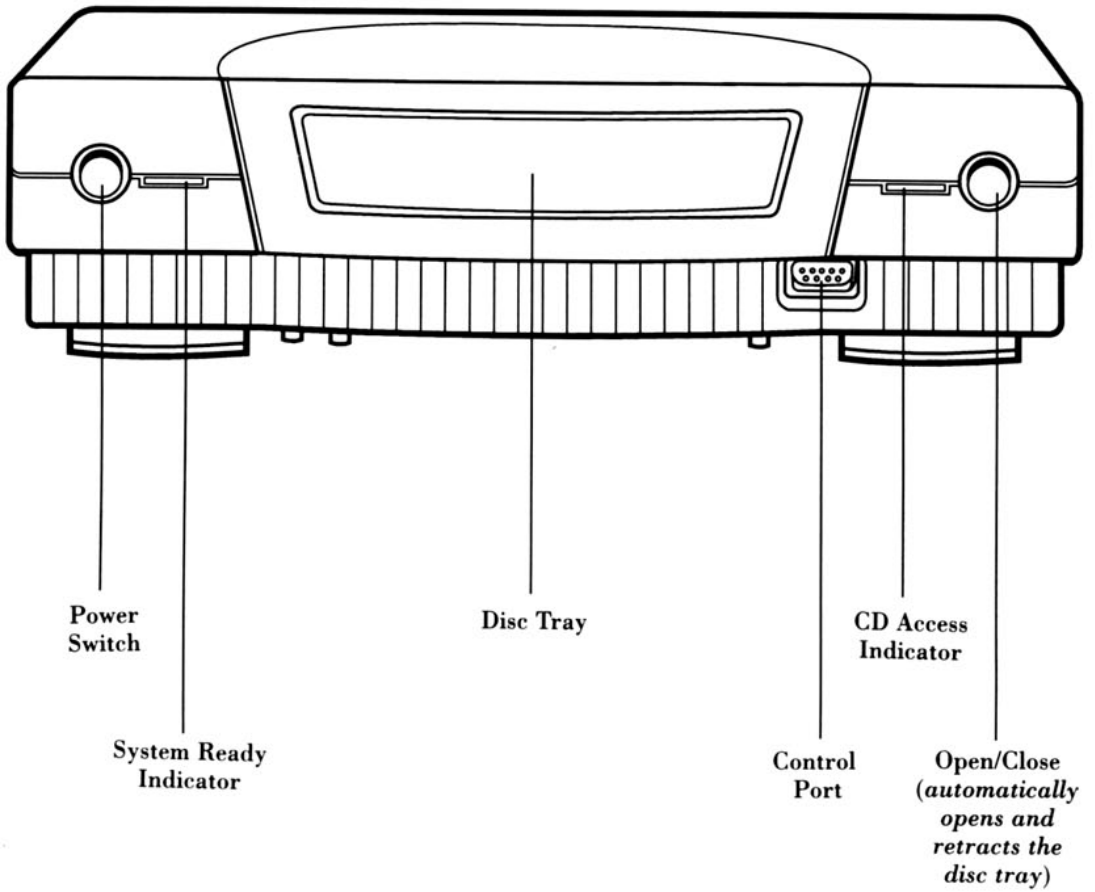
Catalog
Consumer Registration Card
The 3DO Club Registration Card
and other useful documents



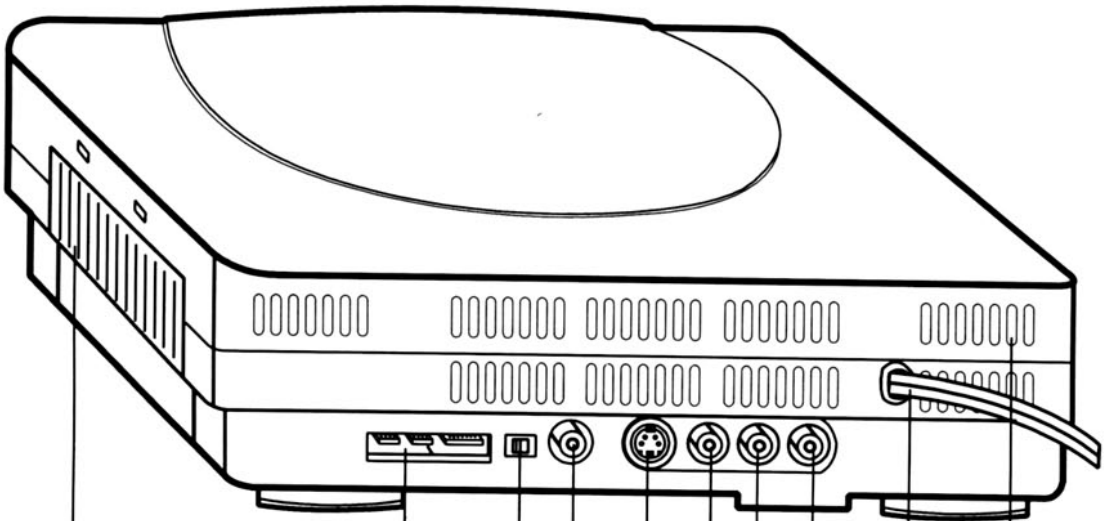
**Your system may also
includes bundled software.**

A Diagram of your Goldstar 3DO system

FRONT



BACK



AV-Expansion Port
(The AV Expansion
Port is ready to
receive the Goldstar
3DO Digital Video
Module for enhanced
video quality as well
as future system
upgrades.)

Expansion
Port

Channel
Select
Switch

RF
Output
Jack

S-Video
Output
Jack

RCA
Video
Output
Jack

RCA
Audio
Output
Jack
(left and
right
channels)

Power
Cord

Ventilation
Openings

Connecting your Goldstar 3DO system

You will need a television, an electrical outlet nearby, and a stereo sound system, if available. You can work without connecting to a stereo system, but if one is available you will definitely prefer to have it connected as well for greater audio quality.

Examine the back of your television set for available input connectors. You have your choice of three different types of connections for the 3DO system which should cover most televisions.

Note: Please install your 3DO system at a distance from your TV so it does not affect your screen adversely.

Option #1 S-Video Connection

For this connection, you will need two cables: an S-Video cable (not included with this system) and a dual RCA cable (use the red and white connectors from the triple RCA cable included with your system.) Make sure your television supports S-Video before purchasing an S-Video cable at your local audio-video or consumer electronics retailer.

Connect the power cable from your 3DO system to an electrical outlet. Connect the S-Video connector into the S-Video port on the back of your Goldstar 3DO system and into an available S-Video Video In port on your TV. Connect the red and white connectors of the triple RCA cable into the color-coded RCA audio ports on the back of the 3DO system and attach the opposite red and white connectors to the Audio In port on your TV. Connect your 3DO control pad to the control port on the front of your 3DO system.

Option #2 RCA Connection

For this connection, you will need the triple RCA cable included with your Goldstar 3DO system.

Connect the power cable from your 3DO system to an electrical outlet. Connect the red, white and yellow connectors of the triple RCA cable into the color-coded RCA audio and video ports on the back of the 3DO system and attach the opposite ends to the Audio In and Video In ports on your TV. Connect your 3DO control pad to the control port on the front of your 3DO system.

Option #3 RF Connection

For this connection, you will need the RF cable included with your Goldstar 3DO system and you may also use the special RF adapter, also included.

Connect the power cable from your 3DO system to an electrical outlet. Connect the RF cable into the RF port on the back of your Goldstar 3DO system and check to see if the connector is the right kind to attach to RF port on your TV. If it is not the correct gender or connector configuration, you should be able to attach the included optional adapter between the TV and the RF cable to complete the connection. Connect your 3DO control pad to the control port on the front of your 3DO system.

Connecting to a Stereo System

Follow the instructions for one of the three connections above—with one minor change. Rather than connect the red and white RCA jacks from the 3DO system to the TV, connect the same cable from the 3DO system to an Auxiliary In connection on your stereo system. Turn on your 3DO system, your TV, and your stereo in this configuration. Set your stereo to Auxiliary setting, and the sound will now play through your stereo sound system. Hint: you may wish to turn off the built-in speaker(s) in your television if that option is available to you as your stereo sound system speakers are likely superior to your TV's built-in speakers.

Connecting for Surround Sound

Your Goldstar 3DO system is surround sound-ready. If your television supports surround sound and your sound system includes a surround sound receiver, you will be able to fully enjoy those discs which are encoded in surround sound, including Dolby® Surround Sound. Some high-end televisions include Dolby Surround decoding and amplification abilities on-board, with no need for an external surround sound receiver. The surround sound receiver can also be combined with the speakers in the same configurations.

To connect for surround sound, follow the instructions for connecting to a stereo sound system. Instead of connecting your sound cables into your stereo system, connect them from your 3DO system to your surround sound Audio In connectors. Again, you may wish to turn off your TV's built-in speakers to improve your overall audio quality.

Note: not all discs will be encoded in surround sound. However, discs which were not encoded in surround sound can also be played in surround sound emulation by a high-quality surround sound receiver.

Connecting a VCR to Record from your Goldstar 3DO system

From time to time you may wish to record some 3DO gameplay, or a 3DO edutainment lesson, or perhaps a Photo CD slideshow from your 3DO system onto videotape. If your VCR is connected properly, you should be able to include the 3DO signal as one of your recording source options for your VCR.

This connection assumes that you have already connected your VCR to your television. Follow the instructions above to connect your 3DO system to your TV through an S-Video, RCA, or RF connection with the following modification. Instead of connecting the video cable from your 3DO system to your TV, connect the video cable from your 3DO system to the Video In connection on your VCR. Remember to power on all three devices whenever you wish to record a 3DO signal. When no recording is planned, you need not power on your VCR.

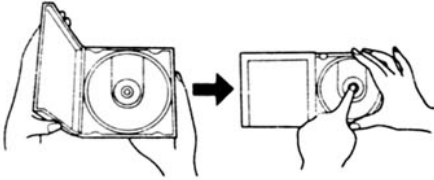
Operating your Goldstar 3DO system

When your 3DO system is set up, power on the unit, the television, and the stereo sound system in any order. Open the disc tray by pressing the Open/Close button. The tray will open automatically.

Insert your selected compact disc in the tray with the reflective side facing down and the printed side facing up. Close the disc tray by pressing the Open/Close button again. After a moment, your selected CD will begin playing.

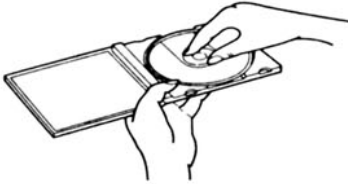
Even with no CD inserted in your system, an animated presentation will play.

Compact Disc Usage Precautions

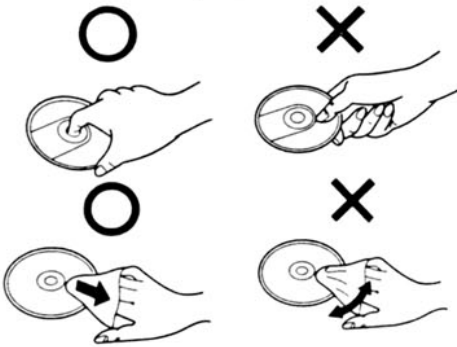


To open the case, gently press both sides of its top.

To remove the CD from the case, press the center holder and lift the CD, holding by the edges.



To return the CD to the case, insert the CD with the label facing upward, and press downward at the center.



Hold CD by the edges so the surface is not soiled with fingerprints. Fingerprints, dirt, and scratches can cause skipping and distortion.

If the surface is soiled, wipe gently with a soft, damp cloth (dampened with water only). Always move the cloth directly outward from the center of the CD, not in a circular motion as with standard phonograph records.

DO NOT use record cleaning sprays, benzine, thinner, static electricity prevention liquids or any other solvent.

If the CD is brought from a cold to a warm environment, moisture may form on the disc. Wipe this moisture off with a soft, dry, lint-free cloth before using the CD.

DO NOT write on the surface of the CD with a ball-point pen or other writing instrument.

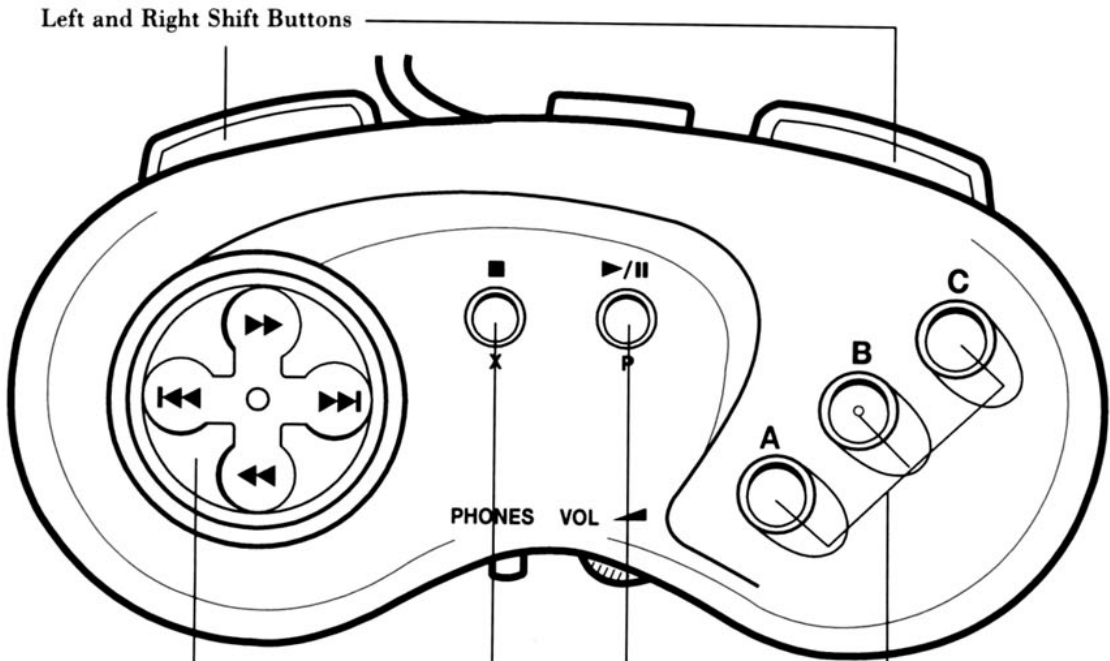
Be sure to store CDs in their cases to protect them from dust, scratches, and warping.

DO NOT place or store CDs in the following places:

- Locations exposed to direct sunlight, humid or dusty locations.
- Locations directly exposed to a heat outlet or heating device.
- In the glove compartment or on the rear ledge of an automobile.

The 3DO Control Pad

Buttons do different things depending on the software selected and the context of your situation.



In general, the Directional Pad (or D-Pad) assists with movement or selections. If you want to move your frame of reference from one location to another, try the D-Pad. If you want to select between multiple choices, try moving the D-Pad up or down, right or left to see your selection change.

In general the Start button will begin or pause action.

The Stop button will quit a program or discontinue a temporary action.

The A, B, and C buttons control activities or selections. The A button, in particular, is a standard action trigger. The Right and Left Shift buttons, located on the top of the pad, are often used to select additional actions or to modify the actions of the A, B, and C buttons. Some programs call for a combination of buttons to be pressed in order to achieve certain actions.

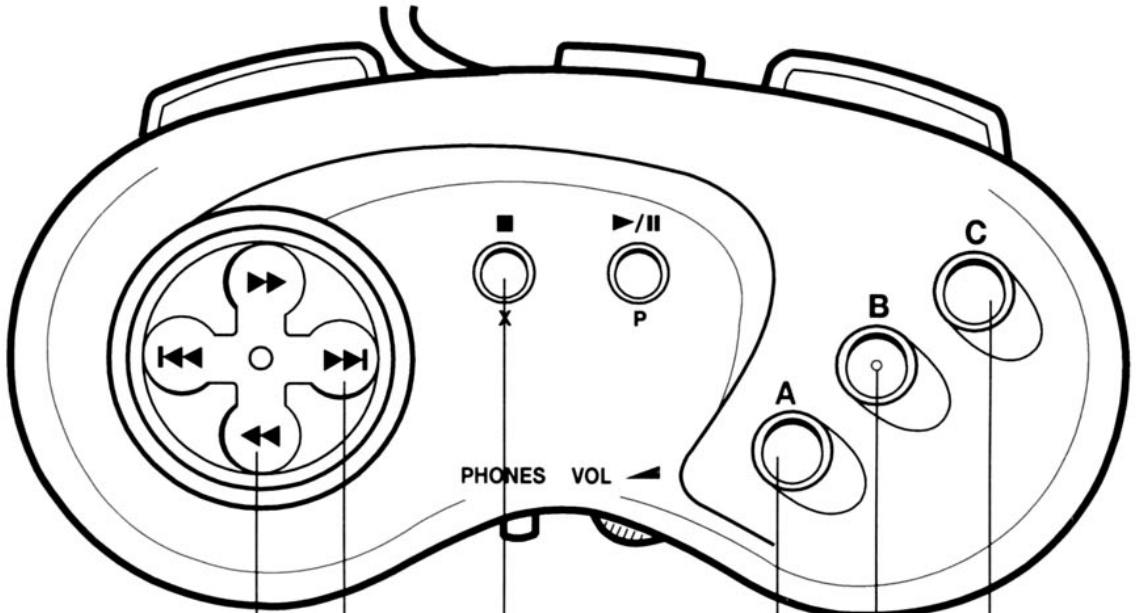
Using Audio CDs



Your Goldstar 3DO unit is an excellent player of industry standard audio CDs, denoted by the COMPACT DISC DIGITAL AUDIO symbol.

Note: Those audio CDs which also include graphics—usually called CD+G and marked with the CDG GRAPHICS SYMBOL will also play. This system does not support CD+EG (*CD Extended Graphics*).

If you insert an audio CD into your 3DO system, it will recognize this fact and load a special application that allows you to control your 3DO system as an audio CD player.



Use the D-Pad to review or scan by pressing Up or Down.

The Stop button will stop the disc.

The B button will select between CD+G graphics channels if more than one is present.

Use the D-Pad to select a track to play by pressing Left or Right.

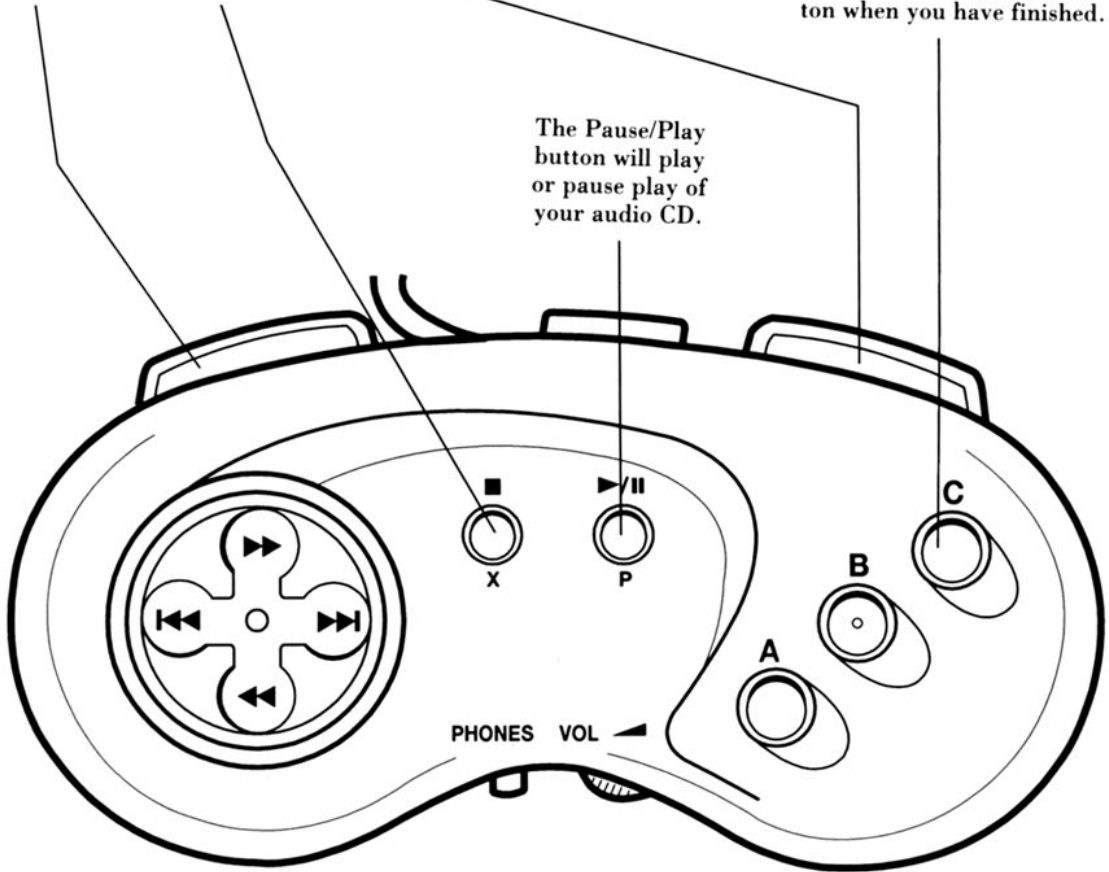
The A button will change the video display accompanying your audio track. You have four video channels to select from (*five or more channels for a CD+G disc.*)

The C button brings up a help screen

To select the program screen, hold down either Shift key and press the Stop button. Entering the program screen will cause the disc to stop playing.

The C button will bring up a help screen with these instructions. Hold down the C button to examine this screen and release the button when you have finished.

The Pause/Play button will play or pause play of your audio CD.



From the program screen, you may specify a playback mode that includes: normal play, programmed play, or random play. If you choose programmed play, you will have the opportunity to select which tracks you wish to include in your program. Create a program with up to 99 tracks. If you choose random play, your 3DO system will randomly create a play list for you. You may select random again to discard that play list and randomly select another. You can also select stereo or monaural sound and you can select between repeating play or stopping at the end of the disc or program.

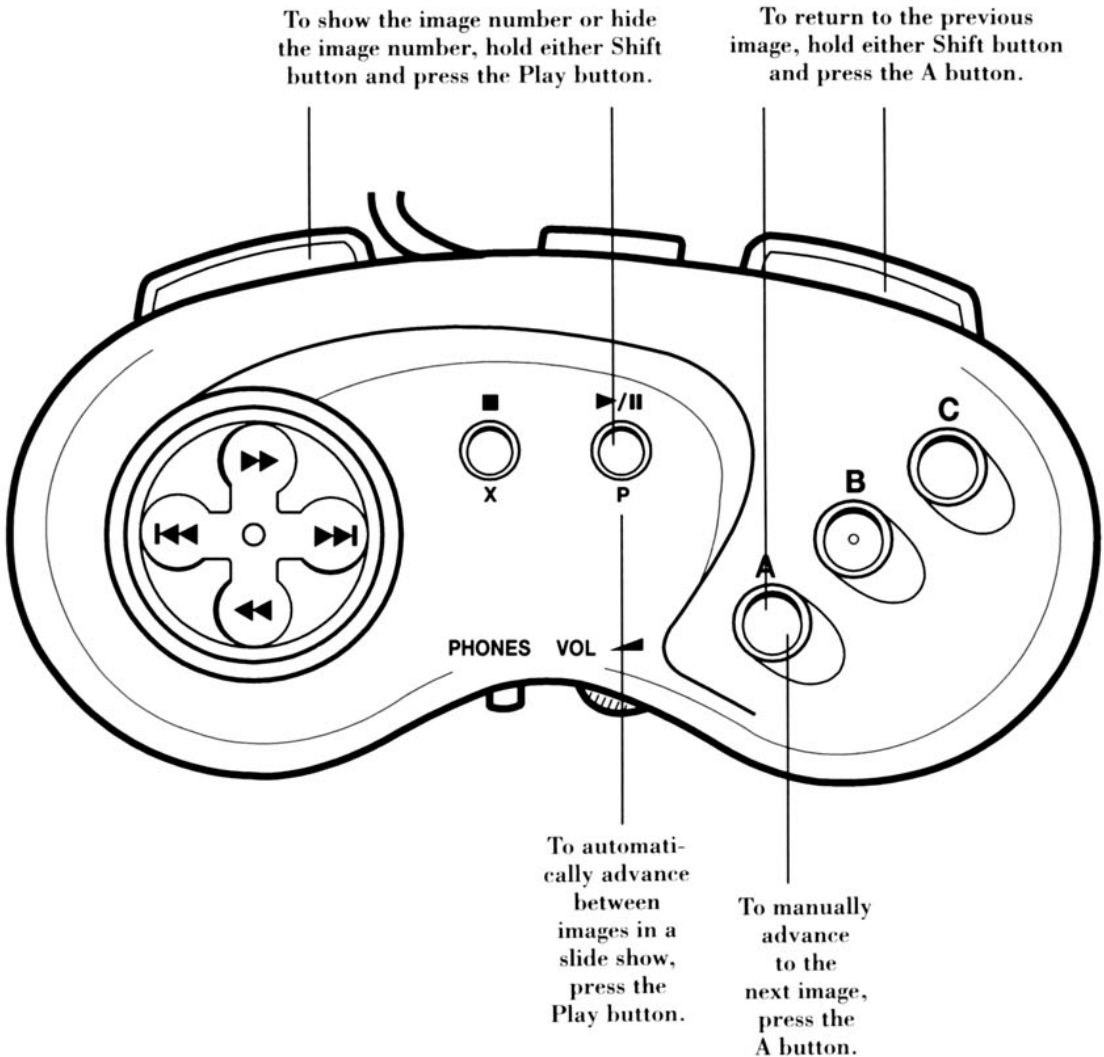
Note: If you prefer to listen to the audio CD through headphones rather than your speaker system, you may insert a stereo-headphone connector into the headphone jack on your control pad. Control the volume with the dial next to the headphone jack.

Using Photo CDs

Photo CDs are compact discs containing high-quality stored photographic images. You can even have your family photographs stored on photo CDs at many photo labs.

Some photo CDs have been designed to include some interactivity. These discs will also play on your Goldstar 3DO system, but even those discs which simply contain images can be manipulated and controlled with your 3DO system.

If you insert a photo CD in your 3DO system, a special application will be loaded giving you control over the images on your photo CD. (*For interactive photo CDs, you will also have access to the controls built into the CD's interactivity abilities.*) The 3DO system will automatically load the first image on the disc and provide you with the following options:



To pan an image, simply press the D-Pad in the direction you wish to view more of the image. You can adjust the speed of your pan by holding down either Shift key and pressing the C button. This will bring up a bar guage allowing you to set your preferred panning speed.

To zoom into or out of an image, press the B button. A zoom frame will be displayed over the image. Direct the zoom frame to your preferred zoom location with the D-Pad, then press the B button. Adjust the size of the zoom frame by pressing the B button repeatedly. When you initially zoom an image, it will seem blocky for a moment but this will smooth out in a few moments as additional image data is processed. While the zoom frame is not being displayed, hold down either Shift key and press the B button in order to zoom completely out from an image. This displays the entire image in its smallest possible size.

You can also rotate the entire image in 90° increments. Hold down either Shift key and press Up or Down on the D-Pad. The image will rotate clockwise (*Up*) or counter-clockwise (*Down*). Continue pressing until your image is displayed in the orientation you prefer.

To display a mirror image, hold down either Shift key and press Right or Left on the D-Pad.

Note: To control an interactive photo CD, refer to the operation instructions that came with the CD.

Using Video CDs

A Video CD is a linear-play disc which contains a movie, cartoon, or other presentation which is designed for the viewer to simply watch. No interactivity or control is intended.



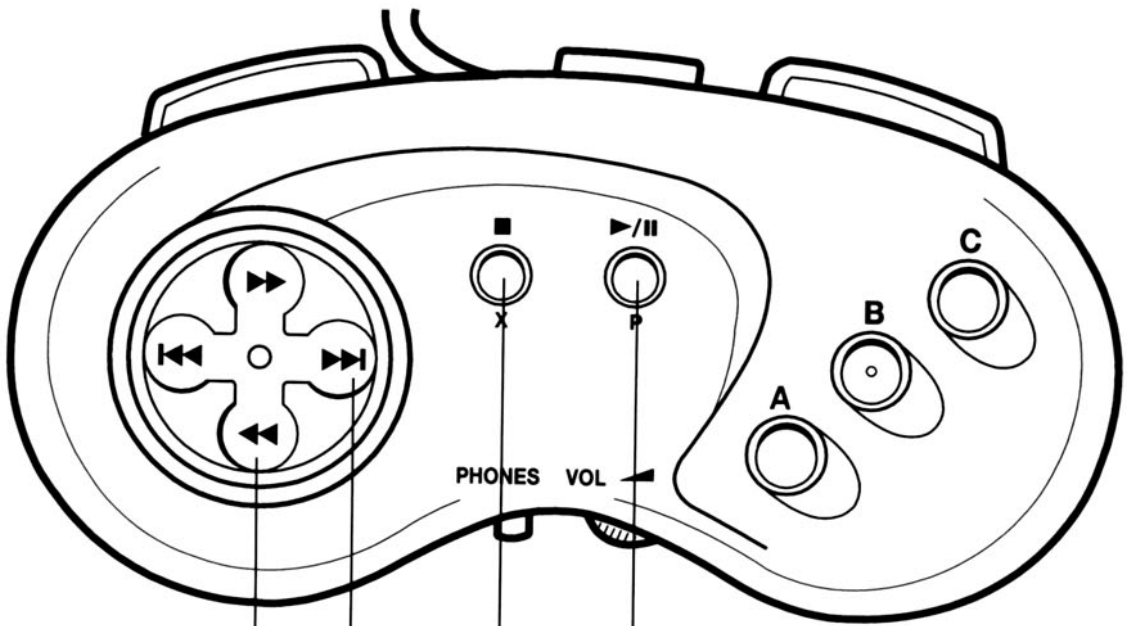
Your Goldstar 3DO system can play 3DO-specific linear-play discs denoted by the 3DO symbol as well as industry standard Video CDs. These discs are sometimes referred to as “white book” CDs.

Note: Video CDs require the optional Goldstar 3DO Digital Video Module (*available separately.*)

To play a Video CD, simply insert the disc. Your 3DO system will recognize the disc and present you with a simple control screen.

Some Video CDs have been divided with chapter designations. This can be useful in locating a particular section of a movie or an individual short cartoon.

Note: To control an interactive photo CD, refer to the operation instructions that came with the CD.



Use the D-Pad to review or scan by pressing Up or Down.


The Stop button will stop the disc.

Use the D-Pad to select a chapter to play by pressing Left or Right.

The Pause/Play button will play or pause play of your movie CD.

Using 3DO Interactive CDs



3DO interactive CDs can be recognized by the  symbol on the face of the disc and on the front and back of its packaging. Use only 3DO interactive CDs and avoid placing any other CD-ROM discs in your Goldstar 3DO system.

To play a 3DO interactive CD, simply insert the disc in the CD tray and close the tray. Your Goldstar 3DO system will automatically load the program on the disc and the individual software will take control from there. Refer to the instruction manual for the 3DO interactive title you selected for control instructions.

Advanced Tips for your Goldstar 3DO system

Saving Audio CD Play Programs

If you select a particular play program for an audio CD, your Goldstar 3DO system will automatically remember that program and present it again as an option on the next occasion where you insert that same CD. These programs are stored to the available memory capacity of the 3DO system. Assuming an average play list of 20 tracks per program, your 3DO system memory capacity is about 80 discs. This also assumes you have not stored/saved interactive games or other items in your system memory.

Connecting to a Projection TV

It is not recommended that you use the Goldstar 3DO system with either a front or rear projection TV because that technology is extremely sensitive to burn-in of static images. Nevertheless, if you prefer to connect your 3DO system to a projection TV, here are some tips. Never pause the display for more than a few seconds. Avoid loading any title that includes a fixed border or selection of the screen which may burn in over time. Do not leave your projection TV running unattended. With some care and attention, you can enjoy using our 3DO system with a projection TV.

Maximizing Your Sound System

Sound is an important element in getting the most enjoyment out of your Goldstar 3DO system. The better the sound equipment connected to your system, the more you will enjoy the quality sound available in CD content (up to the level of the quality of the sound encoded on each disc.)

If your 3DO system is only connected to a monoaural TV speaker, consider connecting a stereo sound system next to your TV. Alternatively, connect a set of powered amplifier speakers to your 3DO system and play the sound through them rather than the TV.

For the finest sound possible, include surround sound technology in your configuration. For specific advice, see the home theater department of your local audio/video retailer.

For More Information

There are many sources of information about 3DO products to enhance your experience with your Goldstar 3DO Interactive Multiplayer system.



The 3DO Club

The 3DO Club is the premier organization for owners of 3DO technology and one of the finest sources of information about 3DO-compatible products. To join The 3DO Club, simply fill out the enclosed Club card which came with your Goldstar 3DO system or call The 3DO Club Information Line at (415) 261-3454 and enroll over the telephone. Membership in The 3DO Club includes a complimentary subscription to 3DO Club News as well as many special promotional offers. For more information electronically, you may also send an Internet electronic mail message to club@3do.com. 3DO Club programs are subject to change without notice.

Magazines

There are a variety of magazines that publish information about 3DO products including magazines which exclusively cover 3DO products.



3 Magazine is a publication of PiM Publications. **3 Magazine** is the first US magazine to exclusively cover the 3DO market. **3 Magazine** subscriptions can be reached by phone at (800) 345-3360 or simply write to **3 Magazine** at: **3 Magazine**, P.O. Box 869, Fall River, MA 02722

3 Magazine is not affiliated with Goldstar USA, Inc. or The 3DO Company in any way.



3DO Magazine is a publication of Tokuma-Shoten Publishing Company. **3DO Magazine** is published in Japanese. To purchase an issue or to subscribe, write to: **3DO Magazine Subscription**, Tokuma Shoten Intermedia, Inc., 4-10-7 Shimbashi Minato-ku, Tokyo 105 Japan

3DO Magazine is not affiliated with Goldstar USA, Inc. or The 3DO Company in any way.

Other magazines give coverage to 3DO products including Electronic Entertainment, Electronic Gaming Monthly, DieHard GameFan, GamePro, Electronic Games, Next Generation, and others.

Online Info

If you have a computer and a modem, you may be aware of commercial online networks which are excellent sources of information for 3DO products. Many 3DO users have joined together into a 3DO online community. Here are some quick directions for finding 3DO-related resources on some of the major online networks.

The Internet

If you have a connection to the Internet, you probably have access to Usenet news groups. There is a dedicated 3DO discussion newsgroup `rec.games.video.3do` with related discussions in `rec.games.video.advocacy`. In particular, be sure to download the regularly updated `rec.games.video.3do` FAQ (*frequently asked questions*).

CompuServe Information Service

On CompuServe, at any prompt type “go vidgam” and you will be brought to the Video Games Forum. A substantial subsection for the 3DO platform includes discussions, downloadable documents, and regular guest speakers and chat times.

America Online

On American Online, use the keyword “video games” and you will be brought to the Video Games Forum. In this forum you will find a folder dedicated to 3DO platform messages. Guests are invited to join regular online gatherings.

Other Services

Other services including Prodigy Network, GENie, Applelink, e•World, and local bulletin board services (*BBS*) often have active 3DO discussions as well.

In Case of Technical Difficulties

When the disc trays pulls into the unit it immediately pops back out.

The disc is not seated properly in the tray, preventing it from fully retracting. Reseat the disc and try to retract the tray again.

When inserting a disc, it spins for a few moments, then the tray comes back out again.

The disc is not readable. It may be dirty, scratched, warped, inserted upside down, or an incompatible data format. Wipe the disc very carefully with a dry cloth in a motion from the center of the disc to the edges. Do not use a circular motion. Examine the disc for scratches—if it is scratched, you will need to replace it. Does the disc lie flat in the tray? If not, it may be warped from exposure to heat or sunlight. Always insert the disc with the printed side up and the reflective side down. If you suspect your disc is an incompatible file format, check the packaging and the face of the disc for a 3DO logo, a movie CD logo, a Kodak PhotoCD logo, a compact disc digital audio, or other compatible logo. If it is clearly a 3DO disc, check to make sure you are not using a PAL-compatible disc intended for European systems in your North American 3DO system.



While playing, my system suddenly froze and will not respond.

Wait at least a couple of minutes to make sure the system is unable to work out this problem, then restart the software by opening and closing the disc tray.

While playing, my system suddenly restarts everything again from the beginning.

Your laser may be losing it's place on the disc. Your 3DO system is somewhat sensitive to bumps, requiring a stable surface. Avoid jostling your system while it is playing. Hint: Do not place your 3DO system on top of stereo speakers which may vibrate while playing.

My system is telling me that I am unable to save games or settings.

Your 3DO system's internal memory banks may be full. You may selectively remove items from memory with a memory storage manager tool available on some discs. This will free up additional memory. If you are a heavy user of your system's memory resources, you may consider purchasing an additional storage peripheral to attach to your 3DO system and upgrade its storage memory. To obtain this peripheral or a memory storage manager tool, please contact your favorite 3DO authorized retailer.

The software seems to be running fine, but my control pad is not responding.

Please check to see if your control pad cable has pulled out of the control port on your 3DO system. If you have connected multiple control pads, some titles will not be able to take advantage of additional control pads beyond the first one.

I have additional questions not covered here.

If you would like to speak to a customer service representative about your Goldstar 3DO Interactive Multiplayer system, please call:

(800) 222-6457 Monday–Friday 8:00 am–7:00 pm CST

Push menu code for “HiMEDIA.”

If you have questions about specific 3DO software, please call the software publisher whose name appears on the software package.

I think my 3DO system may be damaged or defective.

You will want to contact Goldstar customer service to ascertain that your system has a hardware problem.

Please see the inside back cover for a full explanation of the Goldstar Consumer Limited Warranty.

Thank you.

Goldstar USA, Inc. would like to thank you for purchasing this interactive entertainment product.

Technical Specifications

3D0 Processors

<i>Graphics Suite</i>	Two 32-bit RISC graphics animation cel engines
<i>Audio DSP</i>	Enhanced 16-bit digital signal processor
<i>CPU</i>	32-bit RISC processor ARM60
<i>Math Coprocessor</i>	
<i>Video Processor</i>	

System Specifications

<i>Memory</i>	3 Megabytes
<i>Colors</i>	up to 16.7 Million colors
<i>Resolution</i>	640x480 pixels

Audio/Video

<i>Audio Resolution</i>	16-bit stereo (<i>CD-quality</i>)
<i>Audio Processing</i>	16 voices, custom filters, and 3D sound placement
<i>Video Output</i>	S-Video, Composite video, or RF video
<i>Video Decompression</i>	Software decompression; MPEG-1 hardware-assisted decompression (<i>as available</i>)

Storage

<i>CD Drive</i>	Double speed (<i>300 Kilobytes per second</i>)
<i>Storage Memory</i>	32 Kilobytes battery-backed SRAM
<i>Memory Expansion</i>	Expansion port accepts storage card reader peripherals

I/O

<i>Control Port</i>	Serial I/O: Dsub-9 pin; daisy chain up to eight controllers
<i>Expansion Port</i>	High speed I/O: 30 pin; 4 Megabytes/second transfer rate
<i>AV Expansion Port</i>	High speed AV-I/O (<i>FMV cartridge</i>): 68 pin

GoldStar[®] Consumer Limited Warranty

Goldstar USA, Inc. will repair or at its option replace, without charge, your product which proves to be defective in material or workmanship under normal use, during the warranty period listed below from the date of original purchase. This warranty is good only to the original purchaser of the product during the warranty period as long as it is in the U.S. including Alaska, Hawaii, and U.S. Territories.

Warranty Period

<u>Item</u>	<u>Labor</u>	<u>Parts</u>	<u>How Service is Handled</u>
GDO 101M	90 days	1 year	2-Day Swap program for new unit for 1st 90 days. After 90 days repair or 2-day swap at a fixed labor charge. For service, call (800) 222-6457 (Mon-Fri 8:00 am-7:00 pm CST)

Please retain your box and packing material so you can mail your product in for service. Please see instruction sheet.

No other warranty is applicable to this product. THE DURATION OF ANY IMPLIED WARRANTIES, INCLUDING THE IMPLIED WARRANTY OF MERCHANTABILITY, IS LIMITED TO THE DURATION OF THE EXPRESS WARRANTY HEREIN. GOLDSTAR SHALL NOT BE LIABLE FOR THE LOSS OF THE USE OF THE PRODUCT, INCONVENIENCE, LOSS OR ANY OTHER DAMAGES, DIRECT OR CONSEQUENTIAL, ARISING OUT OF THE USE, OR INABILITY TO USE, THIS PRODUCT OR FOR ANY BREACH OF ANY EXPRESS OR IMPLIED WARRANTY, INCLUDING THE IMPLIED WARRANTY OF MERCHANTABILITY APPLICABLE TO THIS PRODUCT.

Some states do not allow the exclusion or limitation of incidental or consequential damages or limitations on how long an implied warranty lasts, these limitations or exclusions may not apply to you. This warranty gives you specific legal rights and you may also have other rights which vary from state to state.

The Above Warranty Does Not Apply

1. To damages or problems which result from delivery or improper installation.
2. To damages or problems which result from misuse, abuse, accident, alteration, or incorrect electrical current or voltage.
3. To service calls, which do not involve defective workmanship or material, such as head cleaning and explaining operations, and therefore this cost is paid by the consumer.

Requirements to Maintain Warranty Coverage

To Prove Warranty Coverage: Retain your Bill of Sale to prove date of purchase. Copy of your Bill of Sale must be surrendered at the time warranty service is provided.

To Obtain Customer Service: Call (800) 222-6457 Monday-Friday 8:00 am-7:00 pm CST
Push menu code for "HiMEDIA."

For out-of-warranty Service: Call (800) 222-6457 Monday-Friday 8:00 am-7:00 pm CST
Push menu code for "HiMEDIA."

3D0, the 3D0 logos, and Interactive Multiplayer are trademarks of The 3D0 Company.

GoldStar

Goldstar USA, Inc., Englewood Cliffs, New Jersey.